

MurphyLink[®] Series ML2000 Panel



Features

- Large 3.8-inch Transflective LCD Viewable in Full Sun Conditions
- Standard Panel Designed for Modern Electronic Engines and Equipment Applications Using SAE J1939 Controller Area Network (CAN)
- Display Active Faults and ECU-Stored Faults with Text Description on Most Common Faults for Diagnosing Equipment Malfunctions
- Standard Harnesses Available for Most Major Engine Manufacturer ECUs
- Polycarbonate or Metal Enclosure Options

The MurphyLink[®] Series ML2000 Panel, engineered and built by Enovation Controls' Industrial Panel Division, is a superior panel offering which includes the powerful, yet simple-to-configure MPC-20 Controller. This controller is part of the Murphy PowerCore family and was developed to meet the need of manual or automatic control whether it's starting/stopping, throttling or both. This controller also has the flexibility to be used on either mechanically or electronically governed engines supporting SAE J1939 CAN communications.

The ML2000 panel has the ability for the software to be fully configured from the front user interface or PC configuration tool. If the default parameters set by Enovation Controls are not the desired setpoints for a factory default reset, the packager or operator has the ability to change these settings with the PC configuration tool then load with a USB thumb drive¹ and USB programming harness¹. The configuration tool also allows for the splash screen to incorporate a company logo when powered on.

The flexibility of the MPC-20 controller allows for the same control panel to be used across many applications. This provides the operator familiarity with the controller and control panel in any application. The Control Panel utilizes industry standard Deutsch connectors and is compatible for use on the simplest mechanical engine to the most advanced, fully electronic Tier 4 engines, when used with the correct Murphy Industrial Harness² (MIH) or John Deere OEM engine harnessing.

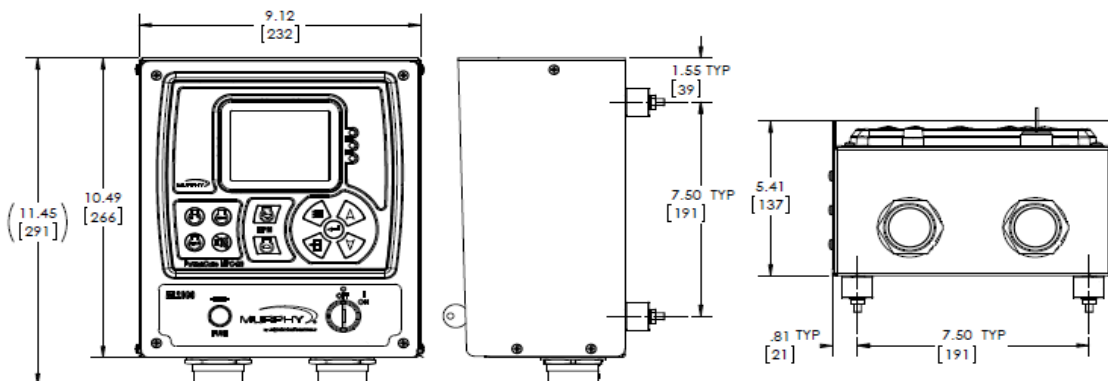
The ML2000 Series panels are available in two rugged enclosures or a stand-alone flat panel option that can be dropped into an existing panel or engine surround/dog house. The enclosure types to choose from are powder-coated cold rolled steel or polycarbonate NEMA 4X. Optional mounting kits are offered for the sheet-metal enclosure, which provide packagers and operators numerous mounting solutions to meet multiple applications.

¹USB thumb drive and programming harness sold separately from the control panel.

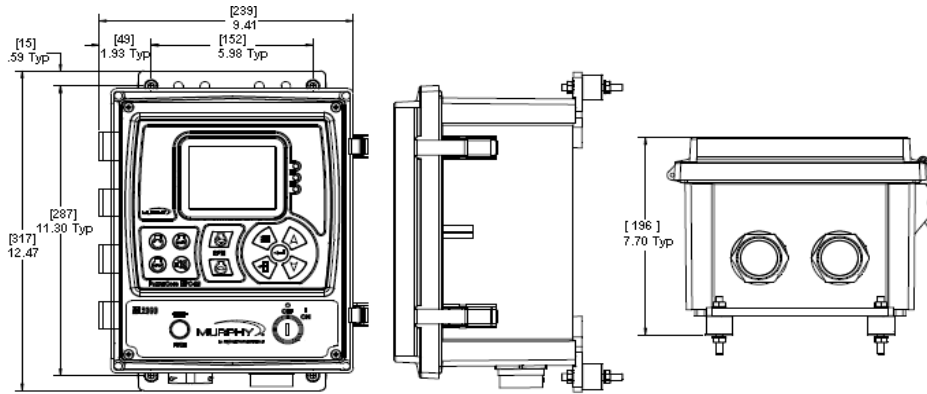
²Please contact Industrial Panel Sales for application specifics and MIH harnessing.

Product and Mounting Dimensions

ML-2000



ML2000-4X



Specifications

Controller	MPC-20	
Operating Voltage	8-32VDC	
Total Current Consumption	18W Max without 2 2A High-sides active, 146W Max with 2 2A High-sides active	
Operating Temperature	-40° to +85°C (-40° to 185°F)	
Storage Temperature	-40° to +85°C (-40° to 185°F)	
Enclosure	Powder-coated cold rolled steel or polycarbonate	
Mating Connectors	21 Position, Deutsch HDP26-24-21SE, 31 Position, Deutsch HDP26-24-31SE	
Shipping Weights	ML2000: 13 lbs (5.9kg) ML2000-FP: 7 lbs (3.17kg)	ML2000-4X: 11 lbs (4.99kg)
13 Outputs	(2) 1A Max Low-side (2) 2A Max High-side (2) 200mA Max 5VDC	(1) 0-5VDC Analog (6) 10A Max Form C Relays
15 Inputs	(8) Analog, configurable as Resistive, 0-5VDC or 4-20mA (6) Digital, Configurable as Battery or Ground	(1) Frequency, (2Hz - 10KHz, 3.6VAC-120VAC)
Communications	CAN (SAE J1939) and RS-485 Modbus	

How to Order

Part Name	Model	Part Number
Metal Control Panel	ML2000	40-70-0491
Polycarbonate, NEMA 4X Control Panel	ML2000-4X	40-70-0492
Flat Control Panel	ML2000-FP	40-70-0497
Panel Connector Kit	Deutsch Connector Kit, 21-pin & 31-pin	40-00-0479
10' Mechanical Engine Whip Harness	HARNESS, ML2000, MECHANICAL, 10' BLUNT, 21 POS	40-00-0553
10' I/O Whip Harness	HARNESS, ML2000, I/O, 10' BLUNT, 31 POS	40-00-0565
Electronic Engine Harness	MIH Engine Harnessing - Contact Industrial Panel Sales for application specific harnessing	N/A
6Pin to USB Programming Harness	ML2000 USB Programming Harness	40-00-0566

ENOVATION CONTROLS CORPORATE HEADQUARTERS
5311 S 122ND EAST AVENUE
TULSA, OK 74146

ENOVATION CONTROLS – SAN ANTONIO OFFICE
5757 FARINON DRIVE
SAN ANTONIO, TX 78249

ENOVATION CONTROLS – HOUSTON OFFICE
105 RANDON DYER RD
ROSENBERG, TX 77471

ENOVATION CONTROLS LTD. – UNITED KINGDOM
CHURCH ROAD LAVERSTOCK
SALISBURY SP1 1QZ UK

MURPHY ECNTRLS TECHNOLOGIES (HANGZHOU) CO, LTD.
77 23RD STREET
HANGZHOU ECONOMIC & TECHNOLOGICAL DEVELOPMENT AREA
HANGZHOU, ZHEJIANG 310018 CHINA

DOMESTIC SALES & SUPPORT

ECNTRLS PRODUCTS
PHONE: 210 495 9772
FAX: 210 495 9791
EMAIL: INFO@ECNTRLS.COM
WWW.ECNTRLS.COM

MURPHY PRODUCTS
PHONE: 918 317 4100
FAX: 918 317 4266
EMAIL: SALES@FWMURPHY.COM
WWW.FWMURPHY.COM

MURPHY CONTROL SYSTEMS & SERVICES
PHONE: 281 633 4500
FAX: 281 633 4588
EMAIL: CSS-SOLUTIONS@FWMURPHY.COM

MURPHY INDUSTRIAL PANEL DIVISION
PHONE: 918 317 4100
FAX: 918 317 4124
EMAIL: IPSALES@FWMURPHY.COM

INTERNATIONAL SALES & SUPPORT

UNITED KINGDOM
PHONE: +44 1722 410055
FAX: +44 1722 410088
EMAIL: SALES@ENOVATIONCONTROLS.EU
WWW.FWMURPHY.EU

CHINA
PHONE: +86 21 6237 5885
FAX: +86 21 6237 5887
EMAIL: APSALES@FWMURPHY.COM

LATIN AMERICA & CARIBBEAN
PHONE: 918 317 2500
EMAIL: LASALES@FWMURPHY.COM

SOUTH KOREA
PHONE: +82 70 7951 4100
EMAIL: SKOREASALES@FWMURPHY.COM

INDIA
PHONE: +91 91581 37633
EMAIL: INDIASALES@FWMURPHY.COM

ISO 9001
REGISTERED



USA (TULSA) - ISO 9001:2008 FM 28221
USA (ROSENBERG) - ISO 9001:2008 FM 28221
UK - ISO 9001:2008 FM 29422
CHINA - ISO 9001:2008 FM 523851
Registered Facilities

Printed in the USA