

Electronic Vibration Switch (EVS-2)



Features

- Vibration (0 to 3.0 ips peak)
- Suitable for Universal use - with mounting at any angle
- Aluminum Housing
- 4 to 20 mA Analog Vibration Signal
- RAW Signal 100 mV/g
- Two Relays
- Rugged Design

1 Products covered by this bulletin comply with EMC Council directive 89/336/EEC regarding electromagnetic compatibility except as noted.

The **Electronic Vibration Switch (EVS-2)** protects against equipment failure by monitoring velocity-based vibration levels and providing an early warning or shutdown when abnormal vibration is detected.

The EVS-2 can be connected to Murphy's TTD™ Annunciator, Centurion™ or Centurion *PLUS*™ controllers for increased functionality. It complements Murphy's VS2™ shock and excessive vibration/pulsation switch designed to detect abnormal shock or pulsation due to equipment failure and to shutdown other equipment in a system to prevent further damage.

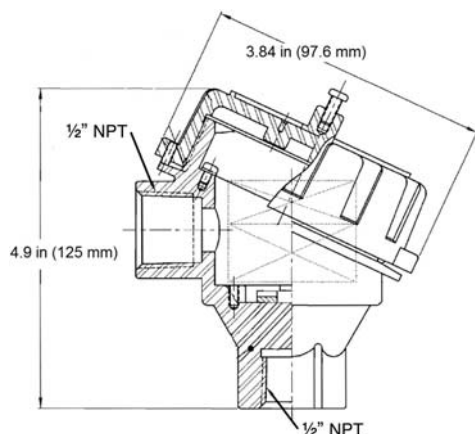
The EVS-2 offers two adjustable level detectors with definable response delay for either Warning or Shutdown alarms. Measuring ranges and response times of the level detectors are set by DIP switch. The assigned relay powers a warning or shutdown alarm.

The EVS-2 can be used on any equipment where abnormal vibration could lead to equipment damage, including:

- Cooling Fans
- Engines
- Pumps
- Compressors
- Gear Boxes
- Motors
- Generator Sets

- Imbalance and misalignments
- Defective sleeve bearings
- Broken tie-down bolts
- Defective ball or roller bearings
- Gear mesh
- Blade-pass frequencies
- Detonation or broken parts

The EVS-2 can monitor and alert the operator of abnormal vibration caused by a variety of factors, including:



Terminal Connections

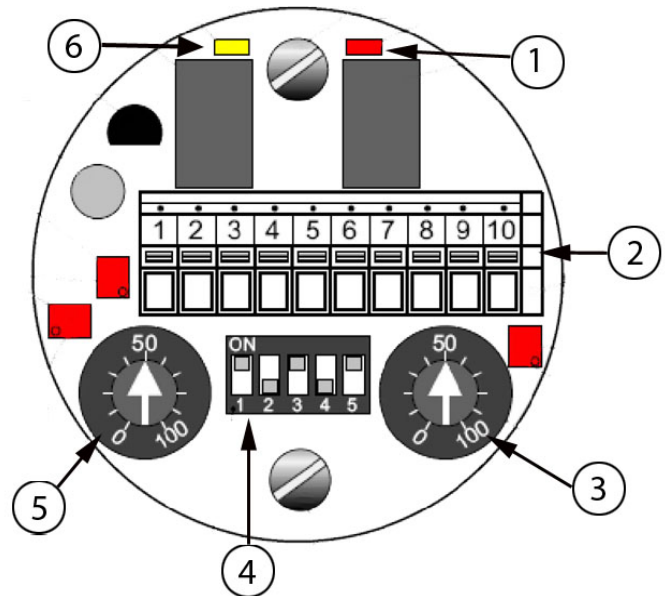
1	+24 V DC
2	0 V DC
3	Relay K1 NC
4	Relay K1 COM
5	Relay K1 NO
6	Relay K2 NC
7	Relay K2 COM
8	Relay K2 NO
9	Analog Output 4 – 20 mA
10	RAW-Signal – 100 mV/g

Specifications

PERFORMANCE		RELAY	
Vibration Range (Adjust jumper S1)	0.75, 1.5 or 3.0 IPS Peak	Switch Contact Capacity	30 VDC/1A, 150 VAC/0.46 A
Frequency Range	5 to 1000 Hz	Relay Function	Non-latching
Analog Output (R _{load})	4 to 20 mA ≤ 500Ω	Threshold Set Point	10 to 100% of Alarm Set Point
RAW Signal (R _{load})	100 mV/g (offset +5VDC) ≤ 20 kΩ	Normally Energized (NE)	Fail Safe
ENVIRONMENT		PHYSICAL	
Operating Temperature	-22°F to +185°F (-30°C to +85°C)	Housing Material	Aluminum/Epoxy Paint (Red)
Storage Temperature	-40°F to +185°F (-40°C to +85°C)	Weight	1.5 Lbs (0.7 Kg)
Enclosure Classification	IP68	Size (H x W)	4.9 in. x 3.9 in. (125 x 100 mm)
EC-Type Certification # Rating	BSI 07 ATEX 1532458U EX d IIC T6, Ex tD A21 T 100°C	Mounting Threads	½" NPT Female, ½" NPT Male/Male SS
Cable Connection	½ NPT, IP66, IRA 06 ATEX 1188 X SIRA 07 ATEX 4327 X	INDICATORS	
ELECTRICAL		Alarm (LED)	Yellow
Sensor Type	Accelerometer	Shutdown (LED)	Red
Power Required	20 to 30 VDC		
Current Draw	< 40mA		
Electrical Connectors	Spring Terminals		

Mechanical Diagram

1	Red Channel 2 LED (K2)
2	Spring terminal 16-24 AWG.
3	Channel 2 (K2) Vibration Set Point Potentiometer (Pot)
4	DIP switches for vibration ranges and time delays.
5	Channel 1 (K1) Vibration Set Point Potentiometer (Pot)
6	Yellow Channel 1 (K1) LED



How to Order

A single model provides all the features and benefits described in the bulletin. Order EVS-2 (PN: 20-70-0242).

FW MURPHY

5311 South 122nd East Avenue
Tulsa, Oklahoma 74146 USA
Phone: +1 918 317 4100 Fax: +1 918 317 4266
E-mail: sales@fwmurphy.com
Web: www.fwmurphy.com

ECONROLS, INC

5757 Farinon Drive
San Antonio, Texas 78249 USA
Phone: +1 210 495 9772 Fax: +1 210 495 9791
E-mail: info@econrols.com
Web: www.econrols.com

FWM INDUSTRIAL PANEL DIVISION

5311 South 122nd East Avenue
Tulsa, Oklahoma 74146 USA
Phone: +1 918 317 4100 Fax: +1 918 317 4124
E-mail: ipdsales@fwmurphy.com
Web: www.fwmurphy.com

FRANK W. MURPHY, LTD

Church Road, Laverstock
Salisbury SP1 1QZ UK
Phone: +44 1722 410055 Fax: +44 1722 410088
E-mail: sales@fwmurphy.co.uk
Web: www.fwmurphy.co.uk

FW MURPHY INSTRUMENTS (HANGZHOU) CO. LTD

77 23rd Street
Hangzhou Economic & Technological Development Area
Hangzhou, Zhejiang 310018 China
Phone: +86 571 8788 6060 Fax: +86 571 8684 8878
E-mail: apsales@fwmurphy.com
Web: www.fwmurphy.com/company_ch

FW MURPHY (LATIN AMERICA & CARIBBEAN)

Apdo. Postal 2-06, Admon. "Lomas" Cord. Arakán 606-16
Lomas 4th Sección 78211, San Luis Potosí, S.L.P., México
Phone: +1 918 317-2500
E-mail: lasales@fwmurphy.com
Web: www.fwmurphy.com

FW MURPHY INDIA

301, 3rd Floor, Krsna Chambers
11, Galaxy Garden, North Main Road,
Koregaon Park, Pune - 411001, Maharashtra, India
Phone: +91 91581 37633
E-mail: indiasales@fwmurphy.com
Web: www.fwmurphy.com

FW MURPHY (SOUTH KOREA)

Seongnam, South Korea
Phone: +82 70 7951 4100
E-mail: skoresales@fwmurphy.com
Web: www.fwmurphy.com



USA-ISO 9001:2008 FM 28221
UK-ISO 9001:2008 FM 29422
CHINA-ISO 9001:2008 FM 52385
Registered Facilities

