

## LC10 Level Controller

The LC10 is a rugged, displacer operated liquid level controller that is ideal for use on scrubbers, separators, heater treaters or anywhere else liquid level control is needed. Its industry-proven force balance design allows for control of gas/liquid as well as liquid/liquid interfaces.

The LC10 can be mounted on the left or right hand side and can be set up for direct or reverse acting. Both the mounting and action are field reversible. Its available with an easily replaceable snap or throttling pilot for pneumatic control. The snap pilot is available with a soft seat option that meets 40 CFR Part 60, Subpart 0000. SPDT and DPDT switches are available for electric control.

A wide variety of sizes and end connections are available, as well as many different displacer arm lengths to fit any vessel configuration. A NACE option is also available for sour service.

## Specifications

### Sizes:

- Threaded: 1 1/2" and 2"
- Flanged: 2" to 8"
- Union: 4" and 5"

### Pressure Rating:

- Threaded: 6000 psi
- Flanged: Up to ANSI 2500 Class
- Union: 1500 psi

### Temperature Range:

- 50° F to 400° F (Varies by Material Selections)

### Pilot Connections: 1/4" NPT

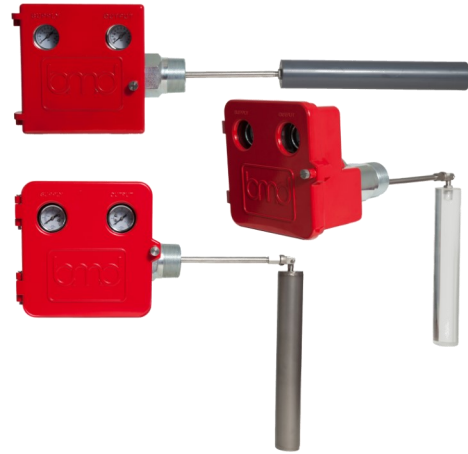
Pilot Max Pressure: Limited by Gauges

### Electric Switch Ratings:

- SPDT: 15 A @ 125, 250, 480 VAC
- DPDT: 10 A @ 125 VAC

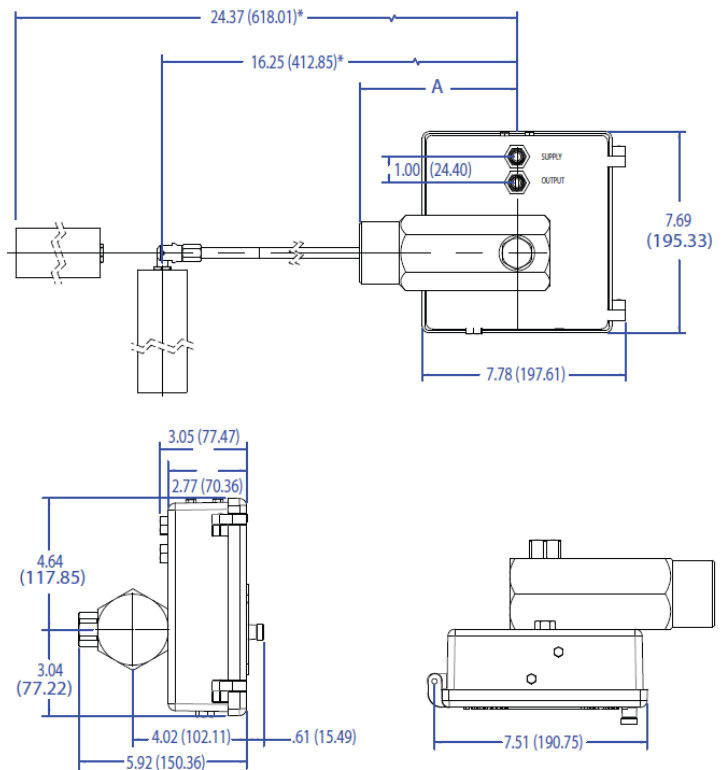
### Materials:

- Body: A105, LF2 (Low Temp Option), SST
- Body Trim: 303 Stainless and 316 Stainless (Optional)
- Pilot Body: Aluminum
- Pilot Trim: 303 Stainless
- Case: Aluminum
- Case Internals: 303 Stainless
- Displacer: PVC (Standard), Acrylic, Stainless



## Dimensions

Measurements in inches (mm).



\* Dimensions for standard sizes.

Minimum Fluid Specific Gravities		
Displacer Orientation	Snap Pilot	Throttle Pilot
Vertical	0.21	0.42
Horizontal	0.28	0.56

Temperature Limits for Displacer and Seal Combinations						
Displacers	PVC		Acrylic		Stainless Steel	
	°F	°C	°F	°C	°F	°C
Buna	-20 to 140	-29 to 60	-20 to 180	-29 to 82	-20 to 225	-29 to 107
Low Temp Buna	-50 to 140	-46 to 60	-50 to 180	-46 to 82	-50 to 225	-46 to 107
Viton®	-20 to 140	-29 to 60	-20 to 200	-29 to 93	-20 to 400	-29 to 204

Dimension A								
Connection	1.5" / 2"		3"		4"		6"	
	Inches	mm	Inches	mm	Inches	mm	Inches	mm
NPT	6.00	152.4	N/A	N/A	N/A	N/A	N/A	N/A
Butt Weld	6.00	152.4	N/A	N/A	N/A	N/A	N/A	N/A
150# RFF	6.50	165.1	6.56	166.62	6.56	166.62	6.50	165.1
300# RFF	6.81	173.0	6.75	171.45	6.88	174.75	6.94	176.3
600# RFF	7.19	182.6	7.12	180.85	7.50	190.50	11.00	279.4
600# RTJ	7.25	184.2	7.31	185.67	7.56	192.02	11.00	279.4
900# RFF	8.00	203.2	9.63	244.60	10.13	257.30	CONSULT FACTORY	
900# RTJ	8.06	204.7	9.69	246.13	10.19	258.83		
1500# RFF	8.00	203.2	10.25	260.35	10.63	270.00		
1500# RTJ	8.06	204.7	10.31	261.87	10.69	271.53		
2500# RFF	8.50	215.9	11.06	280.92	11.75	298.45		
2500# RTJ	8.56	217.4	11.13	282.70	11.81	299.97		

8" - Consult Factory

# How to Order

Example Model No. LC10-2N50R-1B-01PV15-P1

LC10 Series Level Controller, 2" NPT Connection, Right-Hand Direct, Carbon Steel Body, 303 Trim, Buna Seals, 1.88 x 12" PVC Displacer, Vertical, 15" Arm, Snap Pilot, 0-30 Brass Gauges

Controller Case LC10B - Back Mount Case  
LC10 - Standard Case LC10S - Sealed Case

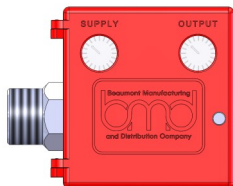
**LC10-2 N 50 R - 1 B - 01 P V 15 - P 1**

<b>Connection Size</b>			
1 - 1.5"	3 - 3"	5 - 5" (Union Only)	8 - 8"
2 - 2"	4 - 4"	6 - 6"	
<b>Connection</b>			
N - NPT (male)	J - RTJ	H - Hammer Union Acme	W - Socket Weld
F - RFF	B - Buttweld	V - Hammer Union V-Thread	
<b>Class</b>			
50 - NPT or Union	60 - 600	25 - 2500	16 - Shd 160 (buttweld)
10 - 150	90 - 900	40 - Shd 40 (buttweld)	
30 - 300	15 - 1500	80 - Shd 80 (buttweld)	
<b>Mounting/Action</b>			
L - Left Hand Direct	M - Left Hand Reverse	B - Back Mount Direct	
R - Right Hand Direct	N - Right Hand Reverse	P - Back Mount Reverse	
<b>Materials (Body/Trim)</b>			
1 - CS/303SS	2 - CS/316 NACE	3 - Low Temp CS/316SS	4 - All 316 Stainless
<b>Seals</b>			
B - Buna	V - Viton®	A - Aflas®	L - Low Temp Buna
<b>Displacer Code</b>			
01 - 1.88 x 12 (PCV/Acrylic)	02 - 1.66 x 12 (SST 304)	XX - Other (C.F.)	
<b>Displacer Material</b>			
P - PVC	A - Acrylic	T - SST	
<b>Displacer Orientation</b>			
V - Vertical	H - Horizontal		
<b>Arm Code</b>			
08 - 8"	14 - 14"	16 - 16"	17 - 17"
12 - 12" (Standard Horz.)	15 - 15" (Standard Vert.)	16.44 - 16.44" (CH30)	24 - 24" (Union)
<b>Pilot</b>			
P - Snap	N - Zero Bleed Snap	E - SPDT Electric Switch	Y - Anti-Vibe Throttle (Liq Filled Gauges)
T - Throttle		D - DPDT Electric Switch	V - Anti-Vibe Snap (Liq Filled Gauges)
<b>Gauges</b>			
1 - 0-30 Brass	4 - 0-60 SST	7 - 0-30 SST, Liq Filled	
2 - 0-60 Brass	5 - 0-30 Brass, Liq Filled	8 - 0-60 SST, Liq Filled	
3 - 0-30 SST	6 - 0-60 Brass, Liq Filled	0 - Electric (No Gauges)	

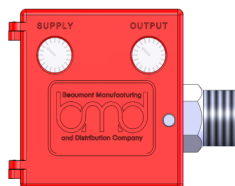
Repair Kits Available

## Installation

LEFT HAND MOUNT



RIGHT HAND MOUNT



Beaumont Manufacturing  
**bmd**  
and Distribution Company  
www.beaumontmanufacturing.com

Phone: 409-225-5863  
Fax: 409-242-1005  
850 Fannin  
Beaumont, Texas 77701