

MLC380 Panel

MurphyLink® Series

The MurphyLink Series MLC380 Panel, engineered and built by Enovation Controls' Industrial Panel Division, is a superior panel offering that includes the powerful, yet simple-to-configure PV380¹ display. This display is part of the Murphy PowerView® family and provides monitoring of Tier 4/Euro Stage 4 compliant electronic engines. The PV380 monitors multiple J1939 parameters and provides basic engine alarm/shut-down information.

The MLC380 panel has the ability for the software to be fully configured from the front user interface. If the factory default parameters are not the desired set points, the packager or operator has the ability to change these settings. The configuration tool also allows for the splash screen to incorporate a company logo.

The flexibility of the MLC380 allows for the same panel to be used across many applications. This provides the operator familiarity with the display and panel in any application. The panel utilizes industry standard Deutsch connectors and is compatible for use on the simplest to the most advanced, fully electronic Tier 4 engines, when used with the correct Murphy Industrial Harness² or John Deere OEM engine harnessing.



MLC380 Electronic Panel

MLC380 Mechanical Panels, Mounting Bracket Optional

This panel is available in a rugged, powder-coated galvannealed enclosure that can be mounted on or near the engine.

¹Please see www.enovationcontrols.com/PV380 for additional information regarding this display model.

²Please see www.enovationcontrols.com/MIH for additional information regarding harnessing.

Specifications

PV380 Display

Operating Voltage: 6-36 VDC; reverse polarity protected (display only)

Operating Temperature: -40° to 185° F (-40° to 85° C)

Storage Temperature: -40° to 185° F (-40° to 85° C)

Total Current Consumption: 10 W Max (display only)

Viewing Area: 3.8" (97 mm) QVGA (320 x 240 pixels); mono-chrome transreflective LCD with white LED backlight and heater

Viewing Angle: ±50° horizontally; +45° / -60° vertically

Panel Enclosure: Powder-coated galvanneal

Alarms: Red and amber warning LEDs; Set point triggered output for external piezo buzzer or shut-down relay

Mating Connectors:

21 Position, Deutsch HDP26-24-21SE, Electronic Engine

15 Position, AMP 77023-1, Mechanical Engine

Sealing: IP66 and 67 (Display only)

Vibration and Shock: 7.86 g random vibrate (5-2000 Hz) and ±50 g shock in 3 axes (Display only)

Communications: CAN (SAE J1939) and RS-485 Modbus

Languages: English, Spanish, French, Italian and German

Outputs (2):

(2) 500 mA; switched low-side

Inputs (8):

(4) Resistive Analog

(3) Analog: 0-5 V, 4-20 mA (analog or digital)

(1) Frequency (2 Hz - 10 KHz, 3.6 VAC-120 VAC)

EMC/EMI: 2004/108/EC and 2006/95/EC directives

EN61000-6-4:2001 (emission)

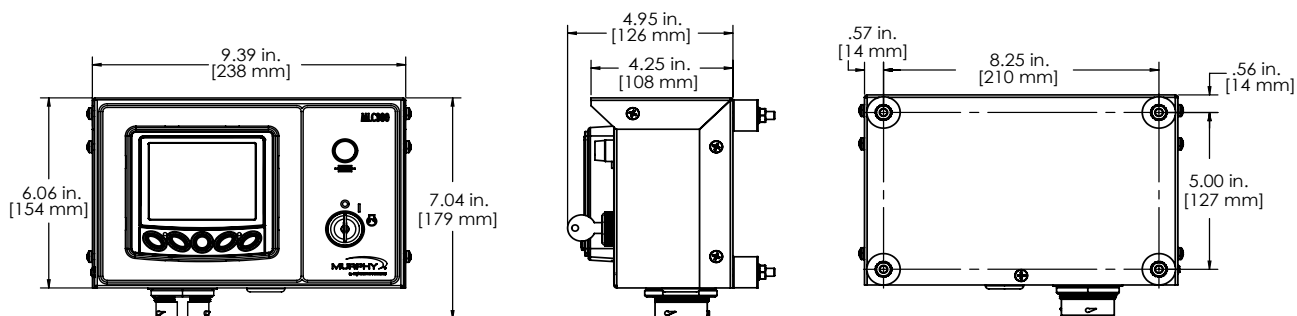
EN61000-6-2:2001 (immunity)

EN50121-3-2 and EN12895

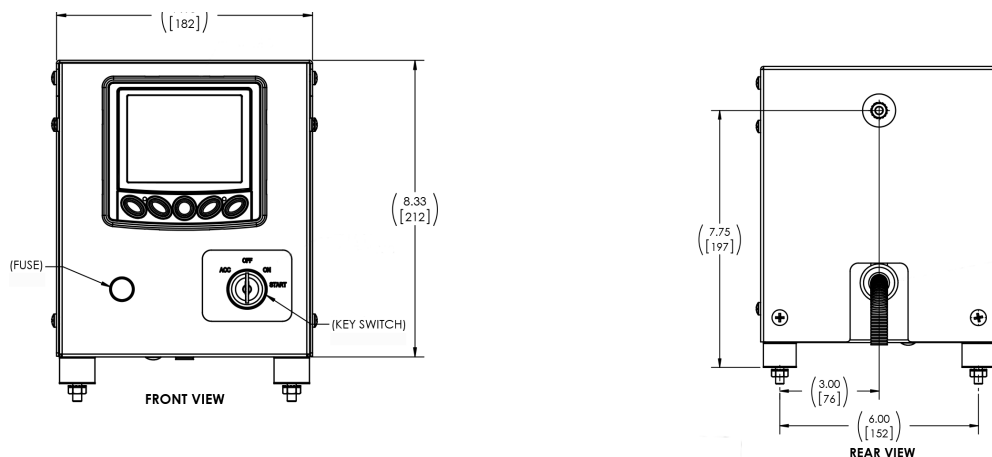
SAE J1113/2, 4, 11, 12, 21, 24, 26 and 41

Product and Mounting Dimensions

MLC380 Electronic Panel



MLC380 Mechanical Panel



How to Order

Part Number	Model and Description	Notes
32700227	MLC380-R2-ELEC-12V-MSTD	
32700228	MLC380-R2-ELEC-24V-MSTD	
32700233	MLC380-R2-MECH-12V-15 POS	
32700234	MLC380-R2-MECH-12V-W/ HARNESS	
32700235	MLC380-R2-MECH-12V-WDU0814	For DEUTZ 1011/2011
32700237	MLC380-R2-MECH-24V-15 POS	
32700238	MLC380-R2-MECH-24V-W/ HARNESS	
32700239	MCL380-R2-MECH-24V-WDU0814	For DEUTZ 1011/2011
Part Number	Accessory	Notes
30000855	WDU Mounting Bracket	Accessories
05705669	ES2F Fuel Level Sender	
78001061	I/O Harness for PV380 (12 pos)	
65000457	Mechanical Sender Kit - includes 05701858 ES2P-100 Pressure Sender 10702013 ES2T-250/300-1/2 Temperature Sender 20700162 MP3298 Magnetic Speed Sensor 05705669 ES2F Fuel Level Sender	
65000462	Pre-Heat Kit	